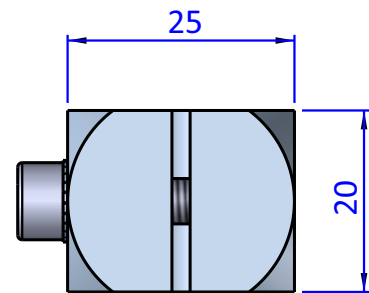
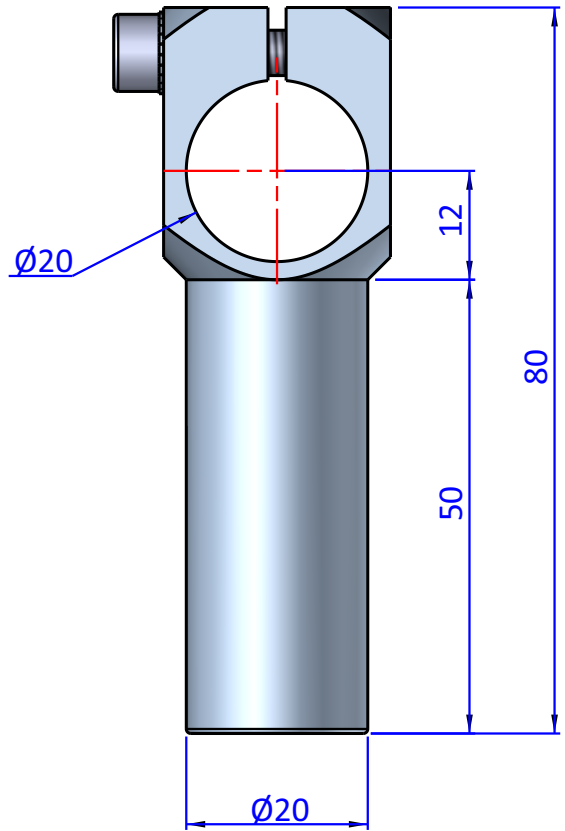
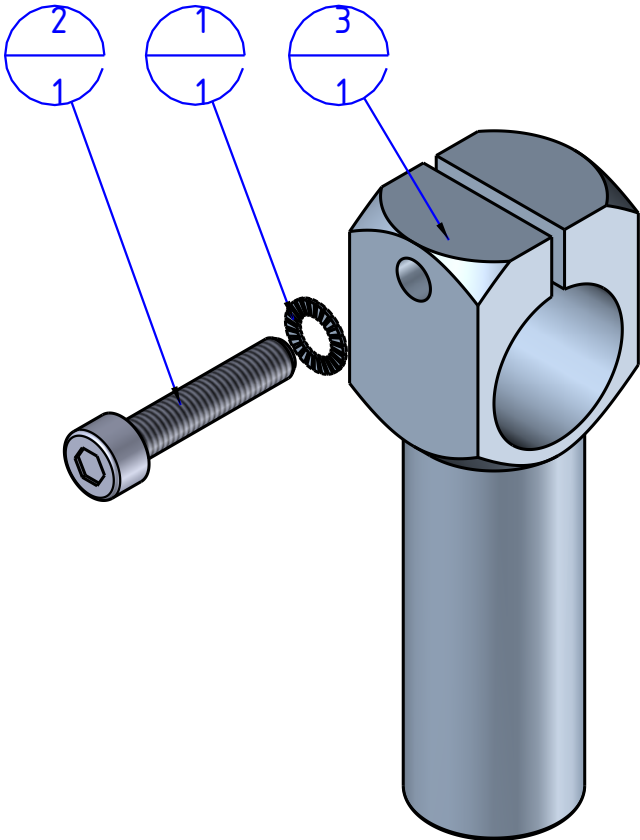

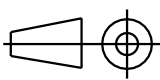


Item	Name	Q.ty
1	R.5.SCH	1
2	V.TCE5x25	1
3	WKA.20.20.50	1



THE PROPERTY OF THE DRAWING IS ESTABLISHED BY LAW. IT IS FORBIDDEN TO PRODUCE OR SHOW IT TO THIRD PART - WITHOUT A WRITTEN AGREEMENT.

Format A4 UNI 936-76	 FPS SERVICES AUTOMATION			DESIGNED FROM	FPS Automation	REVIEW	A	
	GENERAL TOLERANCE			DESCRIPTION	DATE	25/08/2020	WEIGHT	0,047kg
	UNI - ISO 2768 CLASSE f			CA.WKA.20.20.50	CODE	CA.WKA.20.20.50		